

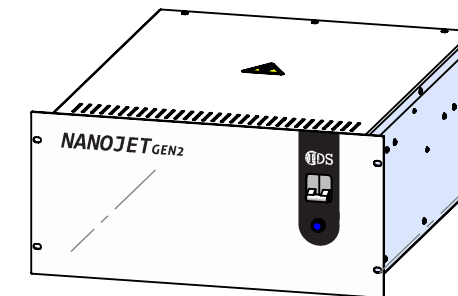
NOTES

1. TOTAL SYSTEM WEIGHT: 77 KG (DESKTOP 64 KG, PCM 13 KG)
2. POWER REQUIREMENTS: 120 VAC 50/60 HZ 6 A
3. GAS SUPPLY REQUIREMENTS: CLEAN DRY AIR OR LABORATORY GRADE NITROGEN, MINIMUM 0.7 BAR 300 SCCM
4. OPTIONAL PLATEN VACUUM SUPPLY: 8 INHG
5. COOLING WATER REQUIREMENTS: 2 LPM MIN, 100 WATT MIN
6. 5 - 40°C AMBIENT
7. 20-95% HUMIDITY NON-CONDENSING
8. 2000 M MAXIMUM ALTITUDE

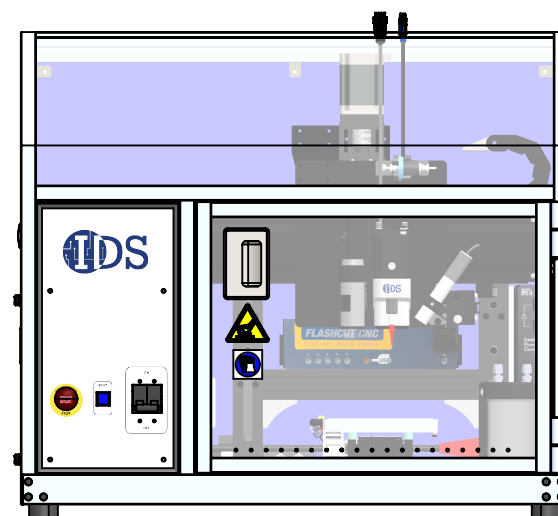
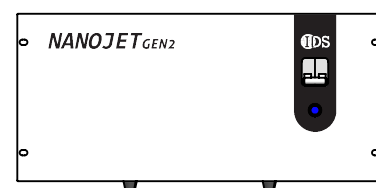
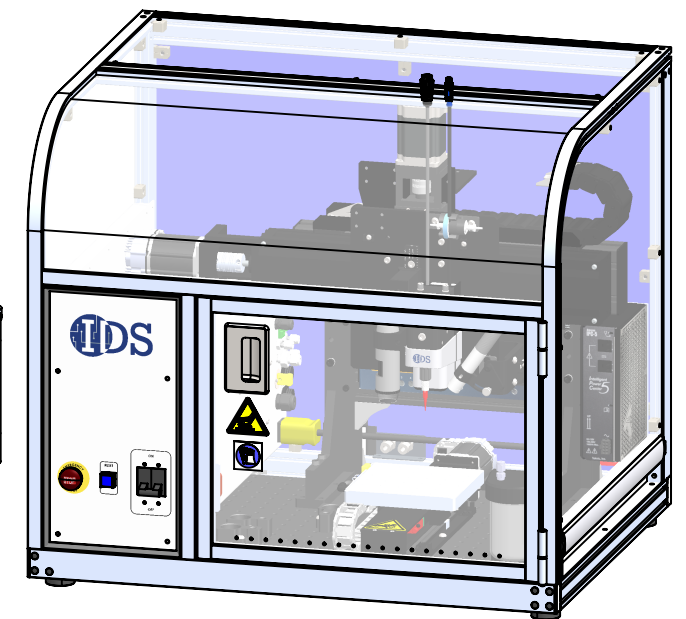
REVISIONS				
ZONE	REV.	DESCRIPTION	DATE	EC
	A	CREATE	2/2/2026	02079



PROCESS CONTROL MODULE (PCM)



DESKTOP



3RD ANGLE PROJECTION

PROPRIETARY AND CONFIDENTIAL
THE INFORMATION CONTAINED IN THIS DRAWING IS THE SOLE PROPERTY OF IDS (INTEGRATED DEPOSITION SOLUTIONS, INC). ANY REPRODUCTION IN PART OR AS A WHOLE WITHOUT THE WRITTEN PERMISSION OF IDS IS PROHIBITED.

UNLESS OTHERWISE SPECIFIED:
DIMENSIONS ARE IN MILLIMETERS

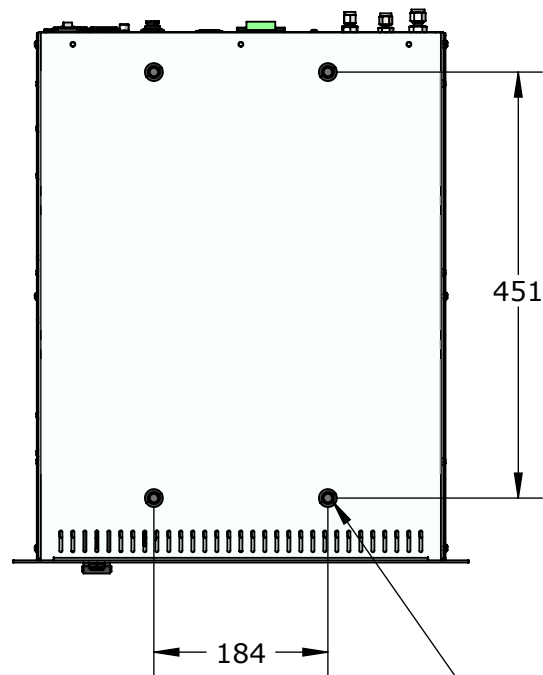
TOLERANCES
NO DECIMALS ±0.5 MM
ONE PLACE DECIMAL ±0.2 MM
TWO PLACE DECIMAL ±0.1 MM
ANGULAR ±0.5°

DIMENSIONS IN PARENTHESIS FOR REFERENCE ONLY
INTERPRET GEOMETRIC TOLERANCING PER: ANSI

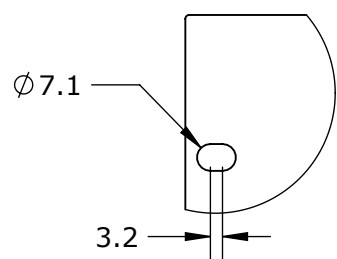
IDS INTEGRATED DEPOSITION SOLUTIONS, Inc.
609 Osuna Rd, NE, Albuquerque, NM
www.idsnm.com

TITLE:
**FACILITY DRAWING GEN2
NANOJET DESKTOP**

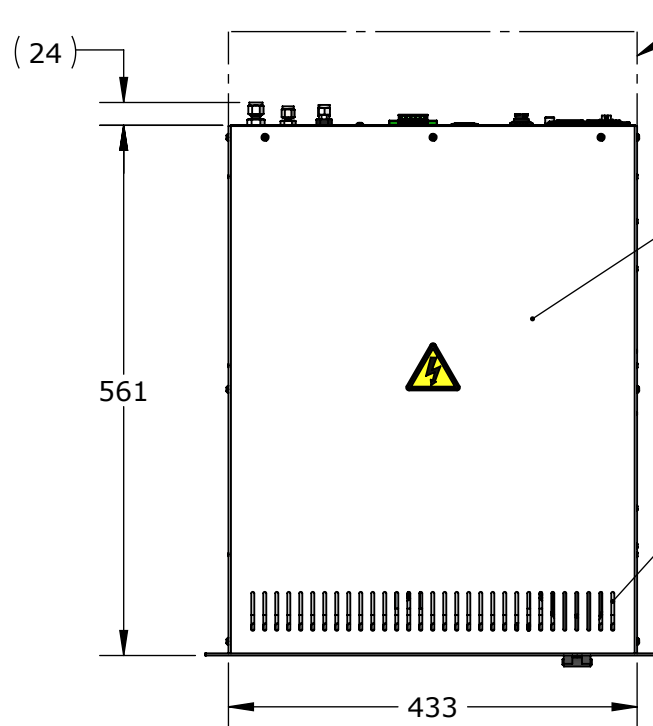
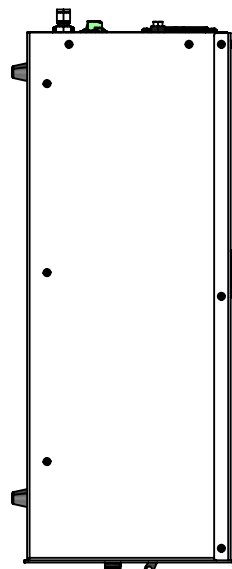
DWG. NO.	REV A
SCALE: 1:10	SIZE B
SHEET 1 OF 3	



RUBBER FEET MAY BE UNSCREWED TO ACCESS M5 MOUNTING HOLES



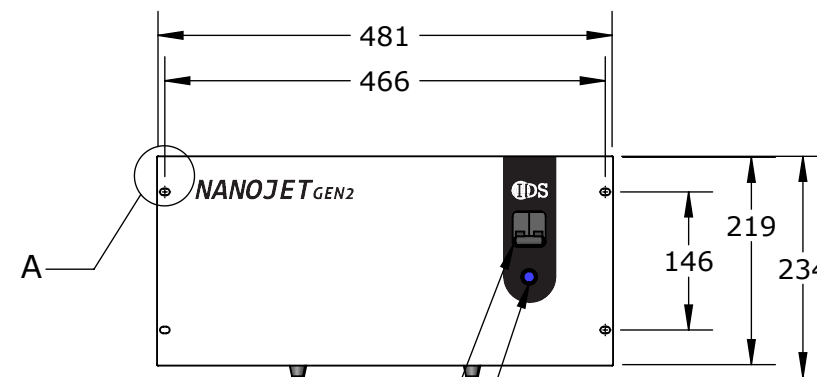
MOUNTING HOLES
DETAIL A
SCALE 1 : 2



KEEP CLEAR 10 CM FOR COOLING

USER SERVICABLE COMPONENTS INSIDE. SEE USER MANUAL. DISCONNECT POWER BEFORE OPENING PCM.

KEEP AIR VENTS CLEAR (SIMILAR SET ON BOTTOM)



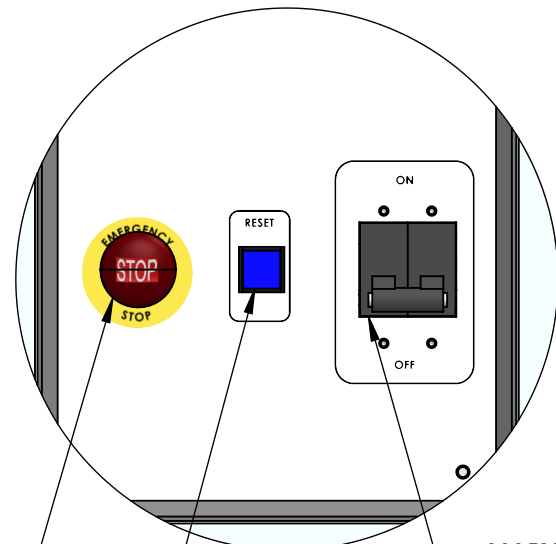
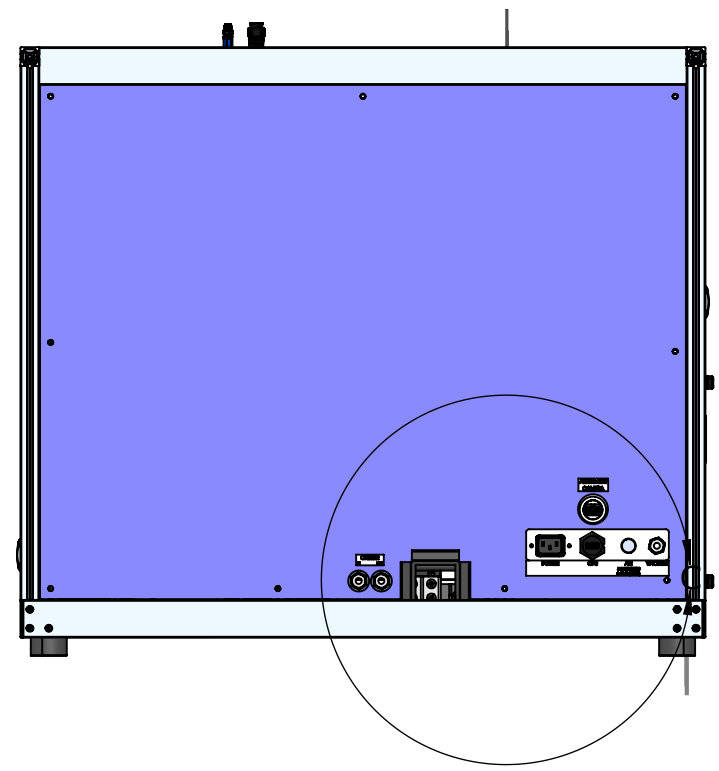
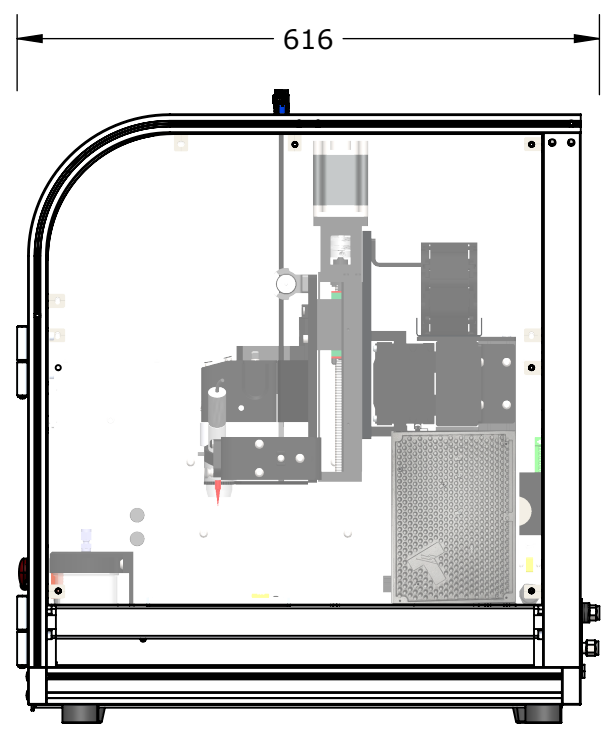
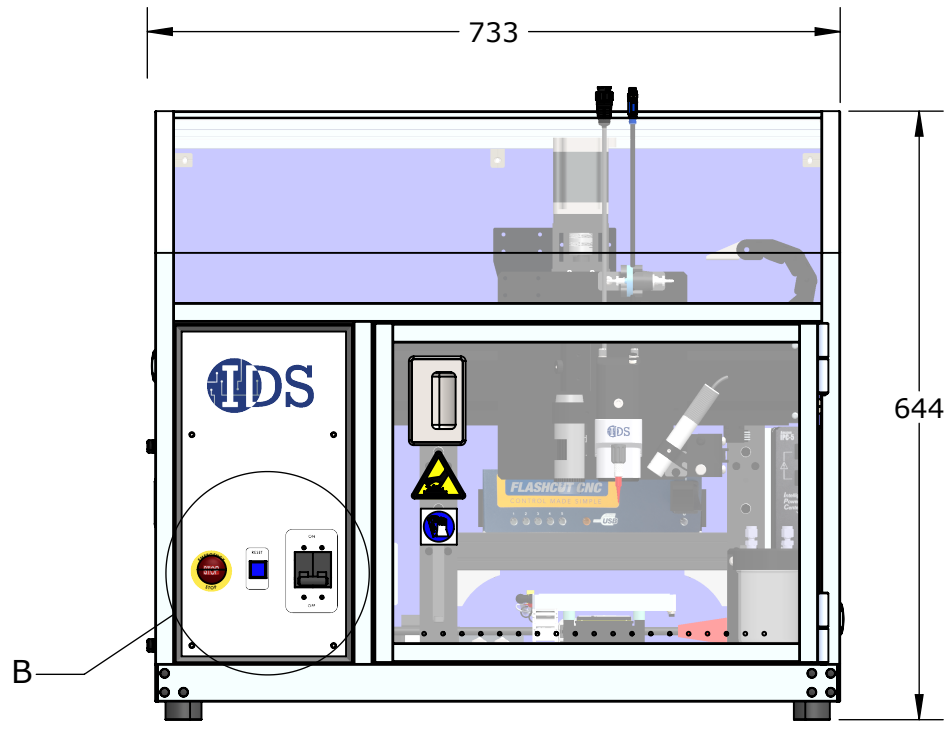
MAIN POWER SWITCH/BREAKER

POWER INDICATOR LIGHT

IDS INTEGRATED DEPOSITION SOLUTIONS, Inc.
609 Osuna Rd, NE, Albuquerque, NM
www.idsnm.com

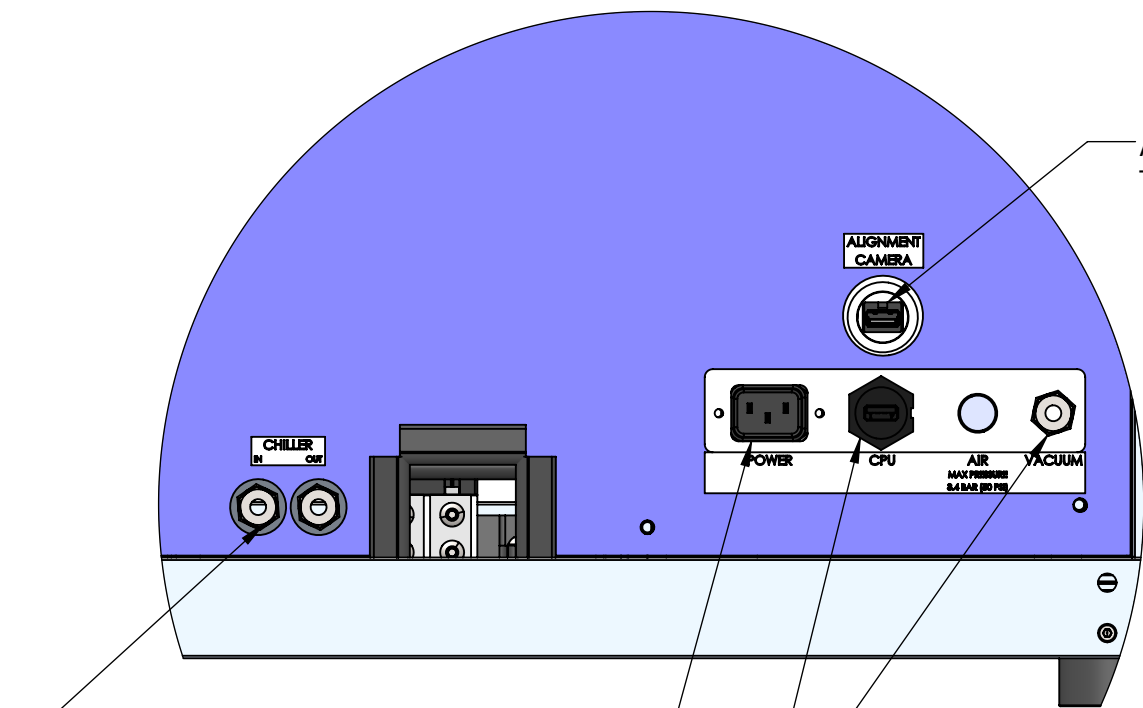
TITLE:
**FACILITY DRAWING
NANOJET GEN2 DESKTOP**

DWG. NO.	REV A
SCALE: 1:8	SIZE B
SHEET 2 OF 3	



EMERGENCY STOP (E-STOP)
 E-STOP RESET
 MAIN POWER SWITCH/BREAKER

DETAIL B
 SCALE 1 : 3



WATER COOLING LINE CONNECTIONS
 1/4 INCH MM OD FLEXIBLE TUBING

CHILLER IN OUT

POWER CPU AIR MAXIMUM 2.5 BAR 20 PSI VACUUM

ALIGNMENT CAMERA TYPE A USB 3.0

PLATEN VACUUM
 1/4 INCH OD FLEXIBLE TUBING

WORKSTATION CONNECTION
 TYPE A USB 2.0

MAIN POWER CONNECTION
 IEC C14

DETAIL C
 SCALE 1 : 3

IDS INTEGRATED DEPOSITION SOLUTIONS, Inc.
 609 Osuna Rd, NE, Albuquerque, NM
www.idsnm.com

TITLE:
**FACILITY DRAWING
 NANOJET GEN2 DESKTOP**

DWG. NO. _____ REV
A

SCALE: 1:8 SIZE B SHEET 3 OF 3